



Job _____ Item No. _____

Lang® 24” Gas Clamshell Griddle Hood

□CSG24



CSG24

DESCRIPTION

Lang gas Clamshell has powerful infrared elements that activate when the hood is lowered to cook quickly. Excellent for proteins, and can re-thermalize much like a cheesemelter! 3” surface-to-surface clearance provides the flexibility you need for your menu. Powerful 50,000 BTU gas infrared broiler.

SPECIFICATIONS

Upper cooking unit[s] shall be ___ ea. [Specify quantity] LANG Manufacturing Model: o CSG24 23” wide, 50,000 BTU gas heated Clamshell® Hood[s]; to be factory mounted on ___ wide [specify: 24”, 36”, 48”, 60” or 72”] gas griddle; with infrared heating elements and stainless steel heat shields, mounted in a stainless steel hood, hinged to mounting bracket with spring assisted lift; auto-ON when unit is lowered; a 3” gap from the griddle surface; and all the features listed.

WARRANTY

These units come with a one [1] year warranty for parts and labor.

FEATURES

- Modular 24” design allows customizing 24-72” griddles via mounting bracket [See Table]
- Powerful 50,000 BTU gas infrared broiler, protected by stainless steel wire-form grid, rapidly browns, seals in juices and speeds cooking
- Stainless steel, hinged, spring assisted operation with 3” preset clearance from griddle surface
- Stainless steel heat deflector/splatter shields improves operator comfort
- Large, cool-grip elastomer, full width lift handle
- Instant-ON via direct spark ignition when Clamshell® is lowered
- Automatically turns OFF when Clamshell® is lifted
- Available in Natural Gas or Propane. Specify when ordering
- Factory installed on selected griddle at time of purchase

OPTIONS & ACCESSORIES

- Clamshell Mounting Frames/Brackets

CERTIFICATIONS



TWO-SIDED COOKING ORDERING GUIDE

YOUR GRIDDLE WIDTH & MODEL	NUMBER OF CLAMSELLS	MOUNTING BRACKET [REQUIRED]
24” - 224T/S	1	CSE12AMG-24
36” - 236T/S	1	CSE12AMG-36
48” - 248T/S	1 or 2	CSE12AMG-48
60” - 260T/S	1 or 2	CSE12AMG-60
72” - 272T/S	1-3	CSE12AMG-72



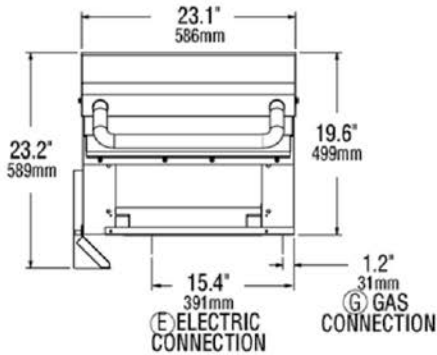
Lang LANG MANUFACTURING • www.langworld.com
10 Sunnen Drive • Saint Louis, Missouri 63143
Telephone 314 678 6315 • Fax 314 781 3636

Printed in the U.S.A. • 2M-Z2xxxx • Rev - • 6.2017
Specifications are subject to change without notice and are not intended for installation purposes.

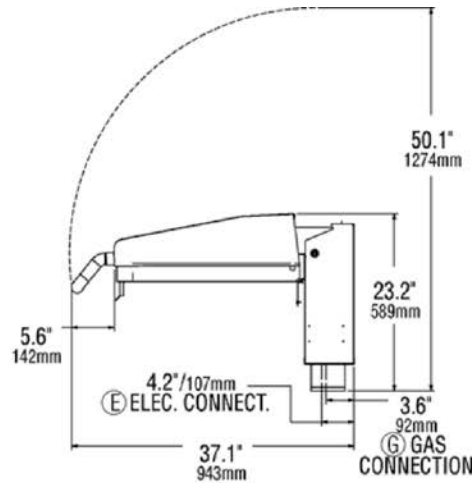


Lang® 24" Gas Clamshell Griddle Hood

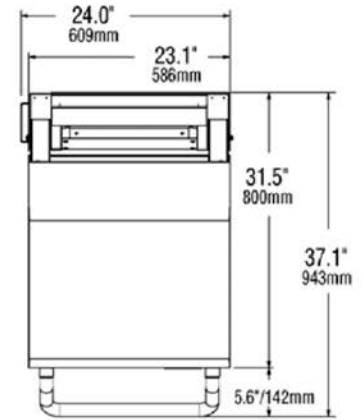
□CSG24



CSG24 [Front View/Elevation]



CSG24 [Right Side View]



CSG24 [Top View/Plan]

INSTALLATION REQUIREMENTS: 1. Must be factory mounted to new Lang gas griddle 2.ⒸSpecify: • Natural gas or • Propane gas via 1/2" NPT connection 3.Ⓔ120V 1-phase power connection 4. Power cord & plug provided 5. Gas pressure regulator provided [See below for location and power requirements]

CLEARANCES: Sides: 0", Back: 0", Bottom: 0"

GRIDDLE REQUIREMENTS NOT INCLUDED. ALSO SEE BASE UNIT SPECIFICATION SHEET.

MODEL	HEIGHT in. (mm)	WIDTH [A] in. (mm)	DEPTH in. (mm)	BTU/HR	VOLTAGE	PHASE	WATTS	AMPS	APPROX. WEIGHT SHIPPING	APPROX. WEIGHT INSTALLED
CSG24	50.1 (1,274)	24.0 (609)	37.1 (943)	50,000	120V/60Hz	1Ø	500	2.0	200 lb. (91 kg)	125 lb. (57 kg)

Due to periodic changes in designs, methods, procedures, policies and regulations, the specifications contained in this sheet are subject to change without notice. While Star Manufacturing exercises good faith efforts to provide information that is accurate, we are not responsible for errors or omissions in information provided or conclusions reached as a result of using the specifications. By using the information provided, the user assumes all risks in connection with such use.



LANG MANUFACTURING • www.langworld.com
 10 Sunnen Drive • Saint Louis, Missouri 63143
 Telephone 314 678 6315 • Fax 314 781 3636

Printed in the U.S.A. • 2M-Z2xxxx • Rev - • 6.2017
 Please refer to the owner's manual for information regarding installation or use.