



Lang
Wave

Item No. _____

Project _____

Quantity _____

36" Electric Induction Top Range with Standard Oven Base Model: RI36S-ATE Series



Model RI36S-ATE Shown

CONSTRUCTION FEATURES

- One piece heavy duty 430 Series stainless steel exterior, with attractive No. 4 finish
- 6" adjustable legs standard
- Full width 2" high range-top back riser
- 3" wide full width front grease trough
- 6" wide full width plate landing
- Grease drain in trough with full width & depth spillage drawers
- Griddle Configurations include a one piece splash guard, back & sides
- 12" high cooking compartment is aluminized steel
- Oven is insulated on six sides
- Heavy duty hinge-down oven door
- Adjustable oven rack slide supports
- One chrome-plated oven rack provided

PERFORMANCE FEATURES

- No flames or hot coils contribute to safer, cleaner cooking
- Induction cooking results in a cooler kitchen
- Controlled heating allows for precise, consistent cooking
- 150° to 450° F oven operating temperature range
- Solid state oven temperature control accurate to 4° F
- Oven Thermostat
- Two, 3-heat switches for oven
- 60 minute timer
- 6 ea. 8" diameter induction burner
- Full front grease trough, grease drain & spillage drawers speed cleanup
- Full front landing simplifies and speeds plating
- Separate, independent controls allows simultaneous multi-function cooking

SHORT/BID SPECIFICATION

Range shall be a **LANG Manufacturing Model RI36-ATE:** a 36" wide heavy duty electric heated unit with standard oven base and 21.6-kW total power input; all stainless steel exterior; fully insulated oven with aluminized steel interior, heavy duty drop-down door and one chrome plated oven rack standard; individual oven and cook-top component controls. Induction cook surface.

STANDARD PRODUCT WARRANTY

- Two year, parts & labor
- Lifetime warranty on oven door mechanism



Sheet No. **LSP-ID4** (rev. 07/14)

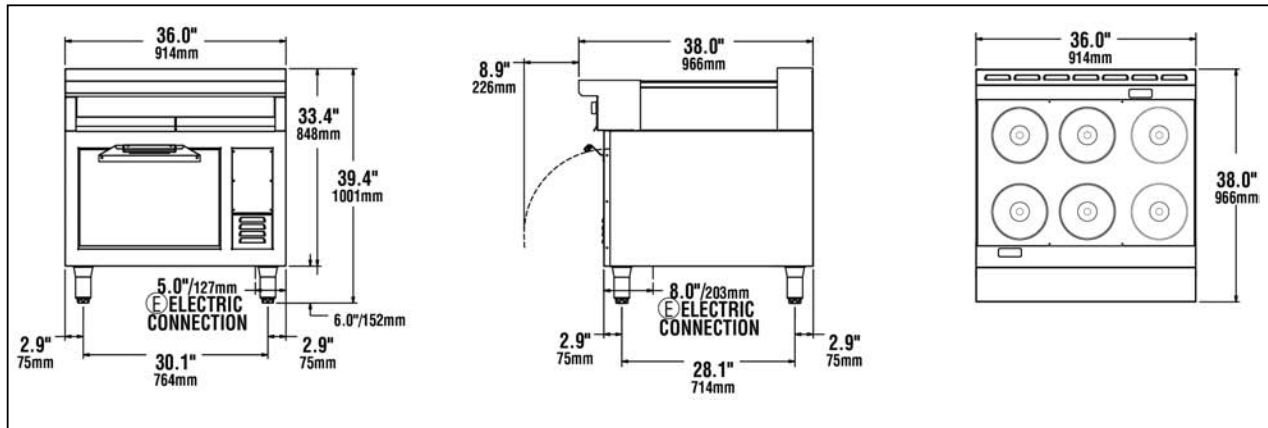
36" Electric Induction Top Range with Standard Oven Base **Model: RI36S-ATE Series**

INSTALLATION REQUIREMENTS

- Unit is shipped in two pieces, cook top & oven base
- ⓔ Single 208/240V, 1/ 3-Phase
- Installation under approved vent hood required. Consult local codes. [Power connection from bottom. See below]

OPTIONS & ACCESSORIES

- Set of 6" casters, two-locking, two fixed
- High Storage Rack [for mounting above any 36" Range]
- Extra wire pan rack [One provided as std.]



[Front View/Elevation]

[Right Side View]

[Top View/Plan]

Model	Height x Width x Depth (With standard 6" legs)	Clearance from combustible surface	Weight		Freight Class
			Actual	Shipping	
RI36S-ATE	39.4" x 36.0" x 38.0" 1001mm x 914mm x 966mm	Sides: 4" (100mm) Back: 4" (100mm)	235-490* lbs. 107-223 kg	285-540 lbs. 130-245 kg	85

Model	ⓔ Electrical Requirements						
	Voltage	kW		Phase		Amps/Line	
	Unit Base Type:	Oven + Top	Top	Oven	Top	Oven + Top	Top
RI36S-ATE	208V/60Hz	21.6	15.6	1	1	103.0	75.0
	240V/60Hz	21.6	15.6	1	1	90.0	65.0
	208V/60Hz	21.6	15.6	3	3	66.7	43.3
	240V/60Hz	21.6	15.6	3	3	57.8	37.5

CAD SYMBOLS & PRICING



Due to continuous improvements, specifications subject to change without notice.



LANG MANUFACTURING • 10 SUNNEN DR. ST. LOUIS, MO 63143
PHONE: 314-678-6315 • FAX: 314-781-5445 • www.langworld.com