



Lang
Wave

Item No. _____

Project _____

Quantity _____

30" Electric Range With Standard Oven Base

Model: RI30S-ATA Series



Model RI30S-ATA shown

SHORT/BID SPECIFICATION

Range shall be a **LANG Manufacturing Model RI30S-ATA**. A 30" wide heavy duty electric heated unit with standard oven base and 14-kW total power input; all stainless steel exterior; fully insulated oven with aluminized steel interior, heavy duty drop-down door and one chrome plated oven rack standard; individual oven and cook-top component controls; 4 ea. 8" diameter induction burner.

STANDARD PRODUCT WARRANTY

One year, parts & labor

CONSTRUCTION FEATURES

- One piece heavy duty 430 Series stainless steel exterior, with attractive No. 4 finish
- 12" high cooking compartment is aluminized steel
- 2" insulation on six sides of cooking compartment
- Heavy duty hinge-down oven door
- Adjustable oven rack slide supports
- 4" swivel casters standard
- One chrome-plated oven rack provided
- 1" high range-top back stop
- 2-3/4" wide full width front grease trough
- Grease drain in trough with full width & depth spillage drawers

PERFORMANCE FEATURES

- 30" unit fits into tight kitchens
- 4 ea. 8" diameter induction burner
- Full front grease trough, grease drain & spillage drawers speed cleanup
- Separate, independent controls allows precise multi-function cooking
- Separate independent controls allows simultaneous multi-function cooking

CONTROLS

- Oven thermostat
- Top & bottom element 3-heat switches
- Four individual 6-heat level switches ea. Induction Hot Plate



Sheet No. LSP-1D2 (rev. 10/11)

30" Electric Range With Standard Oven Base

Model: RI30S-ATA Series

INSTALLATION REQUIREMENTS

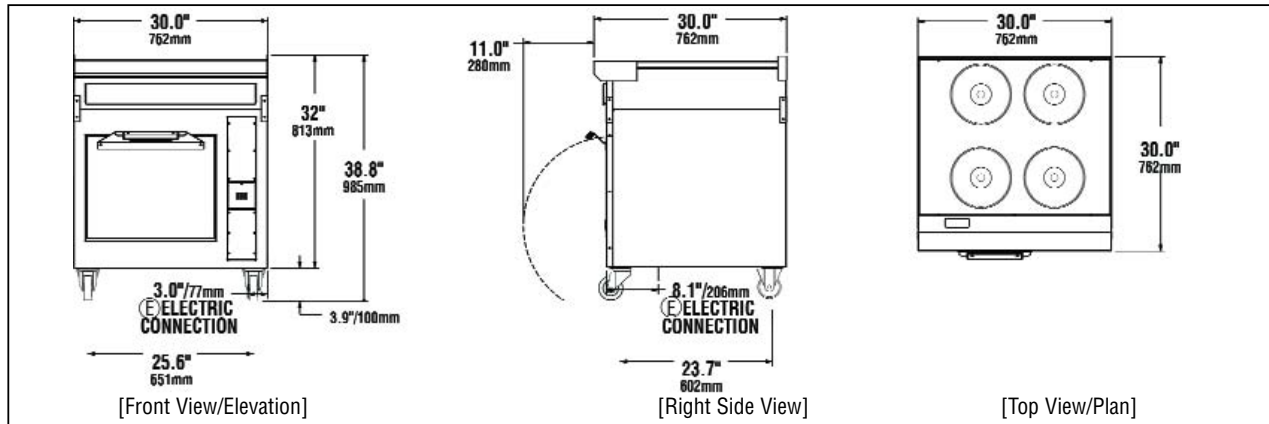
- (E) Single 208/240V, 1/ 3-Phase
- Installation under approved vent hood required. Consult local codes.

[Power connection from bottom. See below]

OPTIONS & ACCESSORIES

- Set of 4" casters, two-locking, two fixed
- High Storage Rack [for mounting above R30S Series Range]

- Extra wire pan rack [One provided as std.]



Model	Height x Width x Depth (With standard 4" casters)	Clearance from combustible surface	Weight		Freight Class
			Actual	Shipping	
RI30S	36.0" x 30.0" x 30.0" 914mm x 762mm x 762mm	Sides: 4" (100mm) Back: 4" (100mm)	270-310* lbs. 123-141 kg	320-360* lbs. 145-164 kg	85

Model	(E) Electrical Requirements			
	Voltage	Total kW	Phase	Amps/Line
RI30S	208V/60Hz	14.0	1	67.3
	240V/60Hz	14.0	1	58.3
	208V/60Hz	14.0	3	41.7
	240V/60Hz	14.0	3	36.1

CAD SYMBOLS & PRICING



Due to continuous improvements, specifications subject to change without notice.



Sheet No. LSP-1D2 (rev. 10/11)

LANG MANUFACTURING • 10 SUNNEN DR. ST. LOUIS, MO 63143
PHONE: 314-678-6315 • FAX: 314-781-3636 • www.langworld.com