



Item No. _____
 Project _____
 Quantity _____

ChefSeries™ Gas, Counter Model Griddles

Model: 224,236,248,260,272[Z,ZC]



*Model 236Z shown,
with optional grooved plate section*

SIZING AND PERFORMANCE GUIDE

Model	Unit Width	Surface Area	Burners	BTU Input*
<input type="checkbox"/> 224Z	24"	552 sq. in.	2	54,000
<input type="checkbox"/> 236Z	36"	828 sq. in.	3	81,000
<input type="checkbox"/> 248Z	48"	1104 sq. in.	4	108,000
<input type="checkbox"/> 260Z	60"	1380 sq. in.	5	135,000
<input type="checkbox"/> 272Z	72"	1656 sq. in.	6	162,000

* For both natural and propane gas

SHORT/BID SPECIFICATION

Griddle shall be a LANG Manufacturing Model 2__ [specify width: 24", 36", 48", 60" or 72"] with [Z = EnviroZone™] or [ZC= EnviroZone™ with chrome plate] controls; gas heated aluminized burner system, with bottom baffles and direct spark electronic ignition; 1-1/4" thick polished cooking surface; 5-1/2" high side and back splash and full front 1" deep x 3-1/2" wide grease trough; double wall base construction; and all the features listed and the options/ accessories checked:

STANDARD PRODUCT WARRANTY

One year, parts & labor

CONSTRUCTION FEATURES

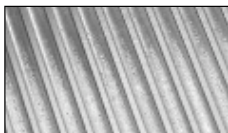
- 1-1/4" thick precision machined, polished steel cooking surface
- Continuously bottom welded 5-1/2" high rear & side splash shields
- Full front 3-1/2" wide x 1" deep stainless steel grease trough with...
- One or two [60" & 72" models] drops provided to one or two grease drawers
- Double wall base construction
- Aluminized burner system spaced every 12"
- Heat shield provided below burners
- 4" adjustable legs provided [Stand option available]

PERFORMANCE FEATURES

- Precise microprocessor based controls ensure accurate and consistent cook temps.
- Extra thick griddle plate minimizes surface temperature variations and retains heat
- Highly polished surface and continuously welded splash and grease trough speed cleanup
- Electronic direct spark ignition, double wall construction and heat shields increase operating efficiency
- Extremely accurate temperature control between 175° and 550°F
- No protruding thermostat knobs to brake or clean around
- No thermostats to recalibrate

CONTROL PACKAGE

- EnviroZone™ Control**
 - Attractive, recessed control module
 - Touch pad setting of cook temperature in 5°F increments
 - Automatically changes temperature for different dayparts
 - Built-in self-diagnostic system



FOCUS OPTION

Custom Grooving [Specified in 12" increments, from left to right.]



Sheet No. LSP-GD5 (rev. 06/07)

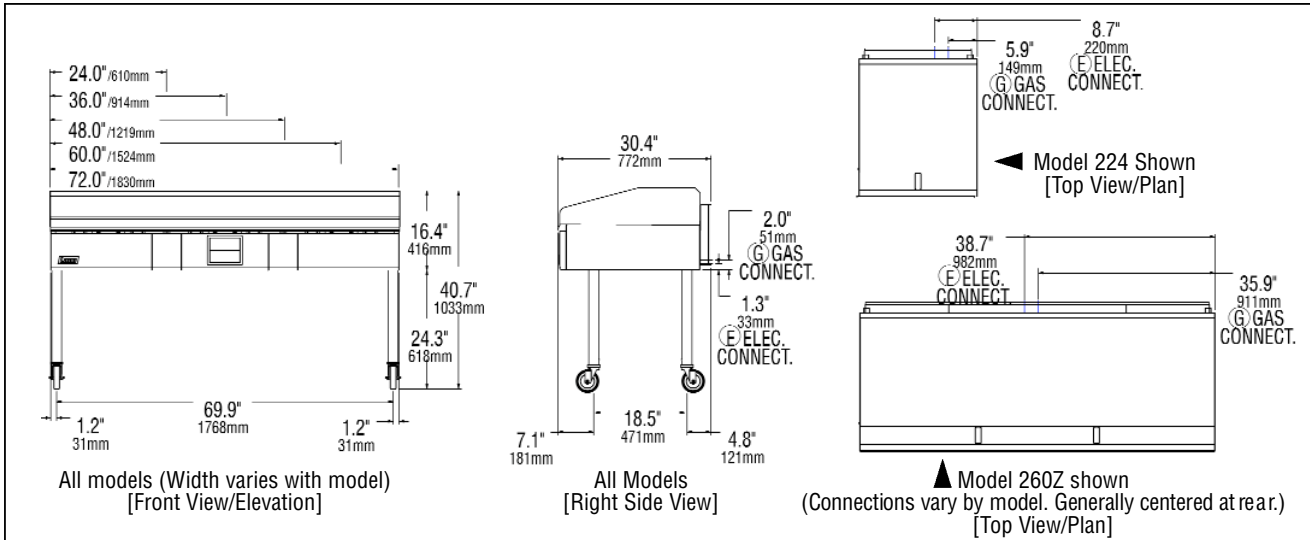
ChefSeries™ Gas, Counter Model Griddles **Model: 224,236,248,260,272[Z,ZC]**

INSTALLATION REQUIREMENTS

- Ⓒ Specify: natural gas or propane gas: via 3/4" NPT connection
 - Gas pressure regulator provided
 - Specify elevation if project is over 2000 feet.
 - Ⓔ 115V, 1-Phase, 50/60 Hz, 2-AMP electrical connection
 - Cord & plug is provided
 - Installation under approved vent hood required.
- [All connections from rear. See below for location and delivery requirements]

OPTIONS & ACCESSORIES

- Custom Grooving [Specified in 12" increments, from left to right. 24" maximum, from either side.]
- Stainless steel tubular-leg stand with adjustable feet
- Stainless steel tubular-leg stand with casters
- Clamshell™ Two Sided Cooking [See LSP-CS1/CS2/CS3]



Model	Height x Width x Depth (Not including legs)	Clearance from combustible surface	Weight		Freight Class
			Actual	Shipping	
224Z	16.4" x 24.0" x 30.4"	Sides: 4" Back: 4" Bottom: 4"	333 lbs.	370 lbs.	65
	416mm x 610mm x 772mm		151 kg	168 kg	
236Z	16.4" x 36.0" x 30.4"		448 lbs.	500 lbs.	65
	381mm x 914mm x 717mm		204 kg	227 kg	
248Z	16.4" x 48.0" x 30.4"		578 lbs.	650 lbs.	65
	381mm x 1219mm x 717mm		263 kg	295 kg	
260Z	16.4" x 60" x 30.4"	701 lbs.	780 lbs.	65	
	381mm x 1524mm x 717mm	319 kg	355 kg		
272Z	16.4" x 72.0" x 30.4"	809 lbs.	920 lbs.	65	
	381mm x 1830mm x 717mm	368 kg	418 kg		

Model	Ⓔ Electrical Requirements				Ⓒ Gas Requirements (3/4" NPT)
	Voltage	Total kW	Phase	Amps/Line	
224Z	115V/60Hz	0.5	1	2.0	54,000 BTU/hr
236Z					81,000 BTU/hr
248Z					108,000 BTU/hr
260Z					135,000 BTU/hr
272Z					162,000 BTU/hr

CAD SYMBOLS & PRICING



Due to continuous improvements, specifications subject to change without notice.



Sheet No. LSP-GD5 (rev. 06/07)

LANG MANUFACTURING - A DIVISION OF STAR MANUFACTURING INT'L, INC. • 10 SUNNEN DR. ST. LOUIS, MO 63143
TOLL FREE: 800.264-7827 • FAX: 314-781-3636 • www.langworld.com