



Item No. _____

Project _____

Quantity _____

Electric, Full-Size/Standard Depth Convection Oven

Model: ECOF-T

Strato Series



Model ECOF-T shown, with optional 27" stand.

PAN CAPACITY GUIDE

Pan Type	Rack Positions	Optimum
18" X 26" Full-Sheet	10 or 11	5
12" X 20" Hotel*	-	10

* 2-1/2" deep pans

SHORT/BID SPECIFICATION

Convection Oven shall be a **LANG Manufacturing Model ECOF-T** Control Package, an 11.66-kW electric heated 5-pan full-size unit, with: simultaneous-opening heavy duty doors; stainless steel exterior, aluminized steel back and porcelainized steel cooking compartment; powerful rear mounted blower with two speed motor; compartment inspection light and five pan racks standard; plus a "lifetime" warranty on doors. Includes all the features listed and options/accessories checked.

STANDARD PRODUCT WARRANTY

- Two year, parts & labor, plus
- Lifetime warranty on oven doors

CONSTRUCTION FEATURES

- Heavy duty 430 Series stainless steel exterior, with attractive No. 4 finish
- Aluminized steel back
- Cooking compartment is porcelainized steel
- 2" insulation on six sides of cooking compartment
- Heavy duty, simultaneously-opening compartment doors, with large double pane tempered glass windows
- Powerful blower centered in back of compartment
- Compartment inspection lighting standard
- Chrome steel 10 or 11 position pan slides with five chrome plated wire racks provided

PERFORMANCE FEATURES

- 150 to 450°F operating temperature range
- Temperature control accurate to ± 5°F average
- Two speed fan
- Door interlock switch cuts power to fan

CONTROL PACKAGE

- Accu-Stat Control**
 - Simple knob-set time and temperature controls
 - 1-hour timer with non-stop buzzer
 - HIGH-LOW speed fan switch
 - Power-ON and inspection light switches



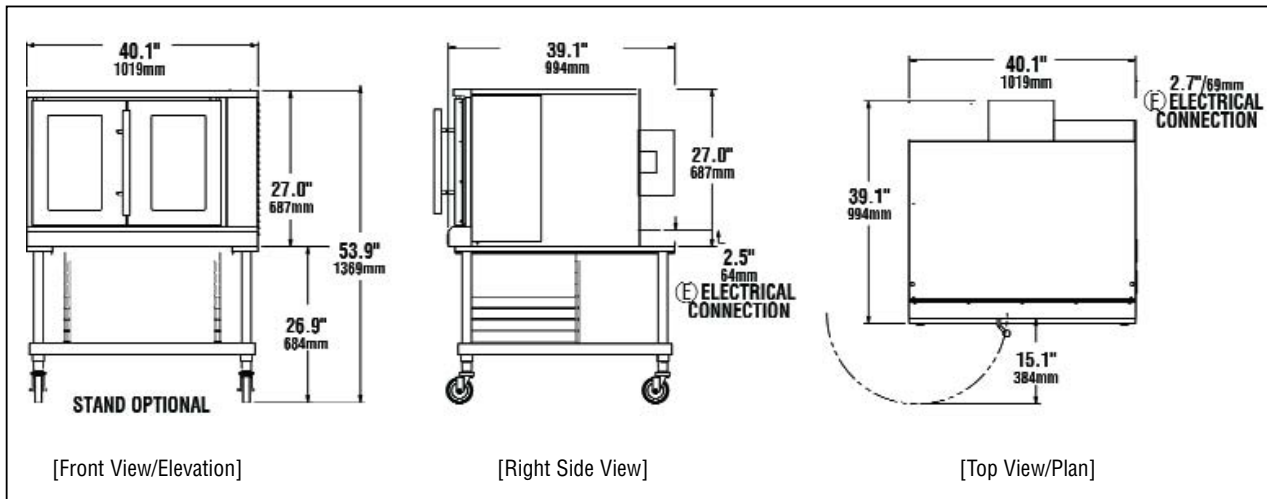
Sheet No. LSP-SSE (rev. 1/12)

INSTALLATION REQUIREMENTS

- (E) Site changeable dual voltage: 208V/240V, 1- or 3-Phase; or optional 480V, 3-phase electrical connection
- Installation under approved vent hood may be required. Contact local codes. [Power connection from rear. See below]

OPTIONS & ACCESSORIES

- 480V, 3-phase model
- 27" stainless steel angular legs
- 27" stainless steel tubular leg stands with under shelf & bullet feet
- 27" stainless steel tubular leg stands with under shelf, rack slides & bullet feet
- 27" stainless steel tubular leg stands with under shelf & casters
- 27" stainless steel tubular leg stands with under shelf, rack slides & casters
- 3" stainless steel spacer
- Solid stainless steel doors, in lieu of doors with windows
- Extra wire pan racks [5 provided as std.]



Model	Height x Width x Depth (without optional stand)	Clearance from combustible surface	Weight		Freight Class
			Actual	Shipping	
ECOF-T	27.0" x 40.1" x 39.1" 687mm x 1019mm x 994mm	Sides: 6" (153mm) Back: 6" (153mm) Floor: 6" (153mm)	360 lbs. 164 kg	400 lbs. 182 kg	70

Model	(E) Electrical Requirements			
	Voltage	Total kW	Phase	Amps/Line
ECOF-T	208V/60Hz	11.7	1	56.1
	240V/60Hz	11.7	1	48.6
	480V/60Hz	11.7	1	24.3
	208V/60Hz	11.7	3	37.1
	240V/60Hz	11.7	3	28.8
	480V/60Hz	11.7	3	16.1

CAD SYMBOLS & PRICING



Due to continuous improvements, specifications subject to change without notice.



Sheet No. LSP-SSE (rev. 1/12)

LANG MANUFACTURING • 10 SUNNEN DR. ST. LOUIS, MO 63143
PHONE: 314-678-6315 • FAX: 314-781-3636 • www.langworld.com