



Item No. _____

Project _____

Quantity _____

Gas, ChefSeries™ Charbroiler Model: 2124,2136,2148,2160,2172[ZRCB]



Model 2136ZRCB shown with optional legs and casters

CONSTRUCTION FEATURES

- Stainless steel front, back & sides
- 32,000 BTU gas burners mounted every 12"
- Heavy-duty slanted, reversible cast iron cooking grates
- Stainless steel removable bottom drip tray
- 4" adjustable legs provided

PERFORMANCE FEATURES

- Digital electronic timers ensure products are cooked to the exact time, every time without needing to buy external timers.
- Fully integrated digital temperature probe eliminates guesswork on when products have reached safe serving temperatures.
- Waffle-shaped stainless steel radiants maximize even cooking surface temperatures.
- "E" shaped burners improve gas/air mixtures for better combustion, maximizing heat and improving energy efficiency.
- Spark igniter system with lighter burner eliminates manual pilot lighting and improves safety.

CONTROL PACKAGE

- Gas control for every 12" of broiler surface

SIZING AND PERFORMANCE GUIDE

Model/Width	Cook Surface [sq. inches]	Controls & Burners	BTU Input*
2124ZRCB	590	2	64,000
2136ZRCB	816	3	96,000
2148ZRCB	1092	4	128,000
2160ZRCB	1368	5	160,000
2172ZRCB	1644	6	192,000

* Natural and propane gas

SHORT/BID SPECIFICATION

Charbroiler shall be a **LANG Manufacturing Model - _ZRCB** [specify width: 24, 36,48, 60 or 72 inch] unit with: 32,000 BTU/hr gas radiant heat burners every 12"; individual controls every 12"; heavy-duty slanted, reversible cast iron grates; large capacity drip pan; and all the features listed and the options/accessories checked:

STANDARD PRODUCT WARRANTY

One year, parts & labor



Sheet No. ZRCB (rev. 05/09)

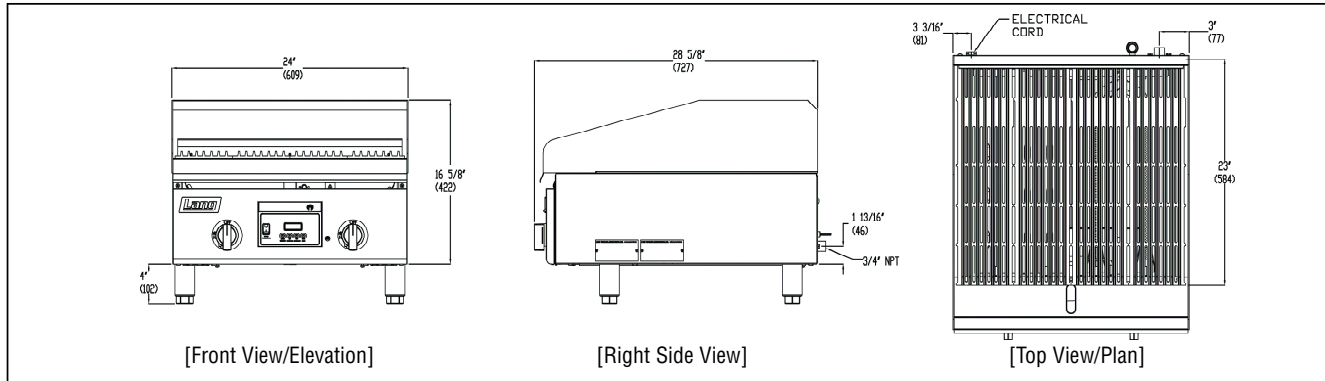
Gas, ChefSeries™ Charbroiler Model: 2124,2136,2148,2160,2172[ZRCB]

INSTALLATION REQUIREMENTS

- Specify: natural gas or propane gas: via 3/4" NPT connection
 - Gas pressure regulator provided
 - Specify elevation if project is over 2000 feet.
 - Installation under approved vent hood required.
- [All connections from rear. See below for location and delivery requirements]

OPTIONS & ACCESSORIES

- Stainless steel support stand with adjustable feet
- 5" compression-mount locking swivel casters for support stand



Model	Height x Width x Depth (Not including legs)	Clearance from combustible surface*	Weight		Freight Class
			Actual	Shipping	
2124ZRCB	16-5/8" x 24" x 28-5/8" 422mm x 610mm x 727mm	Sides & Back: 4"	165 lbs. 75 kg	200 lbs. 91 kg	65
2136ZRCB	16-5/8" x 36" x 28-5/8" 422mm x 914mm x 727mm		225 lbs. 102 kg	265 lbs. 120 kg	65
2148ZRCB	16-5/8" x 48" x 28-5/8" 422mm x 1219mm x 727mm		300 lbs. 136 kg	285 lbs. 130 kg	65
2160ZRCB	16-5/8" x 60" x 28-5/8" 422mm x 1524mm x 727mm		385 lbs. 175 kg	430 lbs. 195 kg	65
2172ZRCB	16-5/8" x 72" x 28-5/8" 422mm x 1829mm x 727mm		470 lbs. 214 kg	520 lbs. 236 kg	65

* Noncombustible floor only.

Model	Gas Requirement (3/4" NPT)
2124ZRCB	64,000 BTU/hr
2136ZRCB	96,000 BTU/hr
2148ZRCB	128,000 BTU/hr
2160ZRCB	160,000 BTU/hr
2172ZRCB	192,000 BTU/hr

CAD SYMBOLS & PRICING



Due to continuous improvements, specifications subject to change without notice.



Sheet No. ZRCB (rev. 05/09)

LANG MANUFACTURING - A DIVISION OF STAR MANUFACTURING INT'L, INC. • 10 SUNNEN DR. ST. LOUIS, MO 63143
TOLL FREE: 800.264-7827 • FAX: 314-781-3636 • www.langworld.com